

Power Supply IM82-2450

- **Output voltage 24 VDC (adjustable from 22.5 VDC up to 28.5 VDC)**
- **Output current 5 A**
- **Safety extra-low voltage (SELV) according to EN 60950**
- **Large voltage range: 85...132 VAC, 176...265 VAC and 210...375 VDC**
- **"Power-Good" relay**

The power supplies, type IM82-2450, are designed to power direct current devices, especially switching and monitoring devices of the TURCK series *interface modul*, *multimodul* and *multisafe*®.

The power supply provides an output voltage of 24 VDC and an output current of 5 A. The potentiometer V_{out} is used to adjust the output voltage in a range from 22.5...28.5 VDC.

The device provides safety extra-low voltage (SELV) according to EN 60950.

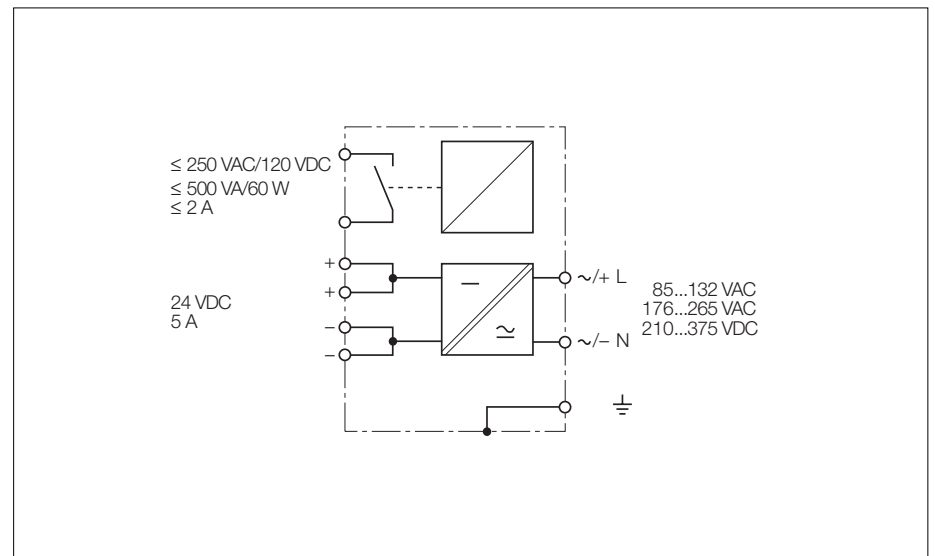
The front panel switch is used to set the power supply mode, i.e. either individual or parallel operation:

- single: individual mode
- parallel: parallel mode.

The "Power-Good" relay is energised, if the input voltage applies and there is no overvoltage at the output, that is higher than 33 V. If one of these two conditions is not fulfilled, the relay is de-energised.

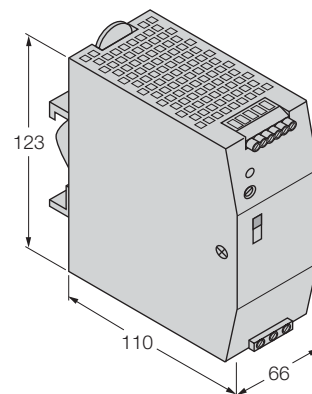
The green LED signals operational readiness.

When installing the device, please ensure that heat can dissipate easily.



Power Supply IM82-2450

Type	IM82-2450
Ident-no.	7545025
Supply voltage	85...132 VAC, 176...265 VAC, 210...375 VDC
Line frequency (AC)	47...63 Hz
Power consumption	< 210 W
Starting current inrush	< 26 A at 230 VAC
Galvanic isolation	clearances and creepages: 8 mm, test voltage of serial device: 3 kV test voltage of prototype: 4 kV
Output voltage	24 VDC \pm 3 % (adjustable from 22.5 VDC up to 28.5 VDC)
Ripple	\leq 1 %
Nominal load	5 A
Power derating	from 60 °C on
Output circuit ("Power-Good" relay)	
Switching voltage	\leq 250 VAC/120 VDC
Switching current	\leq 2 A
Switching capacity	\leq 500 VA/60 W
LED indications	
Power	green
Housing	9-poles, 66 mm wide, Polycarbonate/ABS flammability class V-0 according to UL 94
Mounting	snap-on mounting on hat rail (DIN 50022) screw connections, self-lifting
Connection profile	1.5...6 mm ²
Protection degree (IEC 60529/EN 60529)	IP20
Operating temperature range	-10...+70 °C



D201161 0605