

TURCK

Industrial
Automation

**PRESSURE
TRANSMITTERS
AND
PRESSURE
CONTROLS**

**SERIES
PT-1/PC-1**



TURCK

Industrial
Automation



Bitte senden Sie mir Unterlagen:

Sensortechnik

- Induktive Sensoren
- Induktive Sensoren für Schwenkantriebe
- uprox*® induktive Sensoren
- Kapazitive Sensoren
- Magnetfeldsensoren
- Opto-Sensoren
- Geräte für den Personenschutz
- Ultraschall-Sensoren
- levelprox*-Füllstandssensoren
- Strömungswächter
- Druckwächter
- Temperaturwächter
- Identifikations-Systeme
- Linearweg-Sensoren
- Drehweg-Sensoren
- Steckverbinder
- CD-ROM Sensortechnik

Interfacetechnik

- Interfacetechnik im Aufbaugehäuse für Hutschienen- (DIN50022), Platten- oder Bodenmontage
- Interfacetechnik auf 19"-Karte für Baugruppenträger (DIN 41494)
- Miniaturrelais, Industrirelais, Zeitwürfel, Sockel
- Zeit- und Überwachungsrelais
- Ex-Schutz – Grundlagen für die Praxis (Übersichtsposter)
- CD-ROM Interfacetechnik

Feldbustechnik

- busstop*®-Feldbuskomponenten
- Bussystem *sensoplex*®2
- Bussystem *sensoplex*®2Ex
- Bussystem *sensoplex*®MC
- Bussystem AS-Interface®
- Bussystem DeviceNet™
- Ethernet Netzwerkkomponenten
- BL20 I/O-Busklemmsystem
- Bussystem FOUNDATION™ fieldbus
- Bussystem PROFIBUS-DP
- Bussystem PROFIBUS-PA
- Bussystem *piconet*®
- Remote I/O *excom*®
-

Please send me more information:

Sensors

- inductive sensors
- inductive sensors for rotary actuators
- uprox*® inductive sensors
- capacitive sensors
- magnetic-field sensors
- photoelectric sensors
- machine safety equipment
- ultrasonic sensors
- levelprox* level sensors
- flow controls
- pressure controls
- temperature controls
- identification systems
- linear position sensors
- rotary position sensors
- connectors
- CD-ROM Sensors

Interface technology

- devices in modular housings for top-hat rail (DIN50022) or panel mounting
- devices on 19" card for DIN-rail mounting (DIN 41494)
- miniature relays, industrial relays, time cubes, sockets
- programmable relays and timers
- explosion protection – basics for practical application (overview poster)
- CD-ROM Interface technology

Fieldbus technology

- busstop*® fieldbus components
- bus system *sensoplex*®2
- bus system *sensoplex*®2Ex
- bus system *sensoplex*®MC
- bus system AS-Interface®
- bus system DeviceNet™
- Ethernet network components
- BL20 I/O bus terminal system
- bus system FOUNDATION™ fieldbus
- bus system PROFIBUS-DP
- bus system PROFIBUS-PA
- bus system *piconet*®
- Remote I/O *excom*®
-

FAX-ANTWORT/FAX REPLY

Absender/Sender: _____

Name: _____

Firma/Company: _____

Abt./Position: _____

Adresse/Address: _____

Tel./Phone: _____ Fax: _____

E-Mail: _____

Hans Turck GmbH & Co. KG
 D-45466 Mülheim an der Ruhr
 Phone (+49) (2 08) 49 52-0
 Fax (+49) (2 08) 49 52-264
 E-Mail turckmh@mail.turck-globe.de
 Internet www.turck.com

D1013820303

SERIES PT-1/PC-1

MADE-TO-MEASURE PRESSURE CONTROL

Benefits

TURCK's pressure transmitters, series PT-1, and pressure controls, series PC-1, are designed to meet highest user demands such as operational reliability, accuracy and suitability to a wide temperature range, combined with a space saving compact housing design.

Based on proven ceramic component technology, these shock and vibration proof devices function safely and reliably even when exposed to harsh environmental conditions. If the burst pressure rating is exceeded, a patented safety stop system will interrupt the medium flow - this being just one of the highlights of this new product series with many superior features:

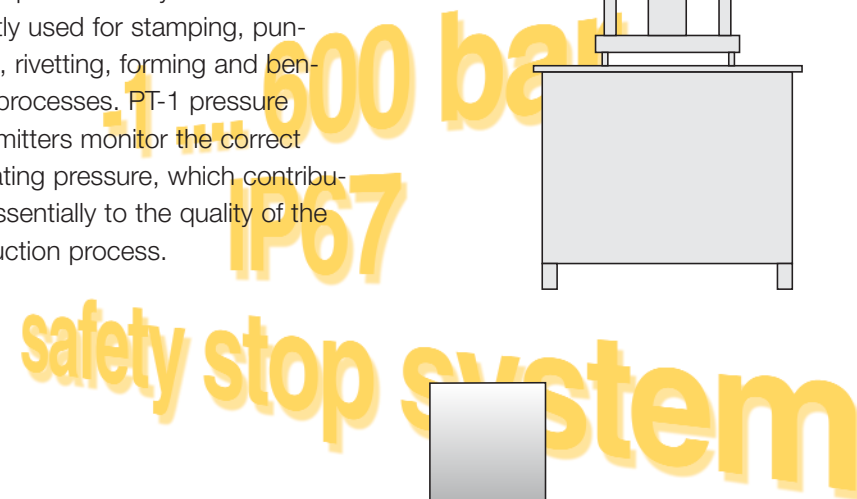
- stainless steel 1.4305 (AISI 303) housings and components interfacing the medium
- a pressure connection equipped with an integrated peak pressure restrictor to protect the ceramic membrane against sudden pressure changes
- a patented safety stop system
- protection degree IP67
- a compact and robust housing design
- excellent EMC
- short-circuit and reverse-polarity protection
- pressure connections in various designs
- devices with pressure ranges of -1...0 bar up to 0...600 bar

The well-balanced concept of the series PT1/PC-1 provides manifold application possibilities, e.g. in tooling machinery, pneumatic systems, hydraulic units and many other industrial applications.

Applications

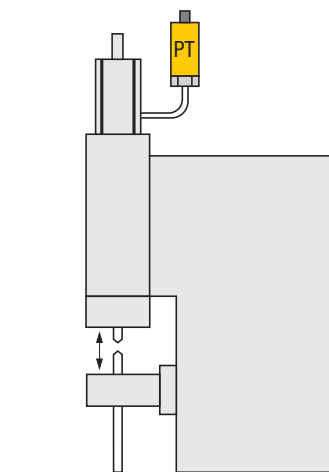
Oil pressure control in hydro-pneumatic cylinders

Hydro-pneumatic cylinders are frequently used for stamping, punching, rivetting, forming and bending processes. PT-1 pressure transmitters monitor the correct operating pressure, which contributes essentially to the quality of the production process.



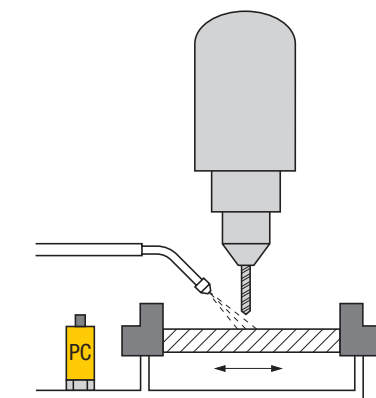
Control of the pressing force in welding systems

When welding metal parts, the quality of the welding spot not only depends on the welding current but also on the pressing power of the welding electrodes. This factor can be permanently monitored by PT-1 pressure transmitters.



Pump feeding pressure control

Monitoring the system pressure in process plants and control of the pump feeding pressure at defined points on the feeding and the outlet side of the installation are standard applications of PT-1 pressure transmitters and PC-1 pressure controls. Featuring a robust housing, a large variety of designs and pressure ranges, this versatile product line is ideally suited for a wide range of applications.



Clamping force control

Drilling, cutting or milling processes often require clamping of the workpiece. PC-1 type pressure controls with a preset switch point monitor the appropriate clamping pressure, thus ensuring a firm support and secure fastening of the workpiece.



Solutions

Pressure transmitters - series PT-1

PT X R - 1 X - X - H1131

Pressure ranges

01V	-1...0 bar
001	0...1 bar
002	0...1.6 bar
003	0...2.5 bar
004	0...4 bar
006	0...6 bar
010	0...10 bar
016	0...16 bar
025	0...25 bar
040	0...40 bar
060	0...60 bar
100	0...100 bar
160	0...160 bar
250	0...250 bar
400	0...400 bar
600	0...600 bar

Output and supply voltage ratings

LU2	0...10 V, 11.4...33.0 VDC, 3-wire
LI3	4...20 mA, 8.0...33.0 VDC, 2-wire

Pressure connections

1	Interior thread G1/4, DIN 3852
4	Exterior thread G1/4, DIN 3852

Additional versions on request.

Pressure controls - series PC-1

PC X R - 1 X - X - H1131 - SP

Pressure ranges

01V	-1...0 bar
001	0...1 bar
002	0...1.6 bar
003	0...2.5 bar
004	0...4 bar
006	0...6 bar
010	0...10 bar
016	0...16 bar
025	0...25 bar
040	0...40 bar
060	0...60 bar
100	0...100 bar
160	0...160 bar
250	0...250 bar
400	0...400 bar
600	0...600 bar

Switch points

factory settings according to customer specifications

Output and supply voltage ratings

AP6	N.O., pnp, 8.0...33.0 VDC
RP6	N.C., pnp, 8.0...33.0 VDC
AN6	N.O., npn, 8.0...33.0 VDC
RN6	N.C., npn, 8.0...33.0 VDC

Pressure connections

1	Interior thread G1/4, DIN 3852
4	Exterior thread G1/4, DIN 3852

Additional versions on request.